



# Geo Washplane® Solid Surface Single

## Available finishes

Solid surface white.

## Assembly

Washplane® assembly includes:

- Washplane® Top
- Stainless steel cantilever brackets
- Zinc plated steel mounting frame
- Stainless steel tray
- Stainless steel drainer
- Stainless steel fascia
- Location saddles

## Cleaning

Solid surface - Clean with a mild detergent and a soft cloth.  
For more stubborn marks a very mild abrasive cleaner can be used with a soft cloth over the entire surface in wide circular motions.  
Finish by cleaning off detergents with a soft wet cloth and towel dry.

## Additional information and recommended fittings

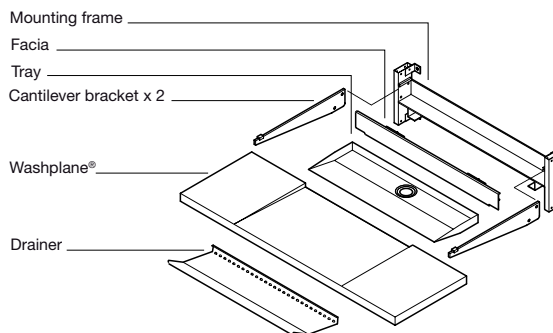
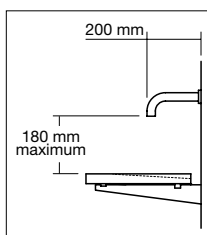
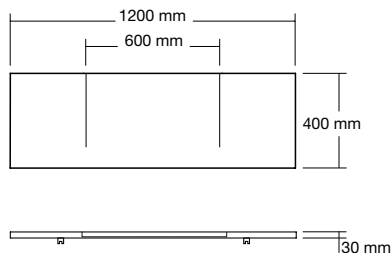
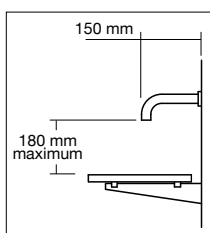
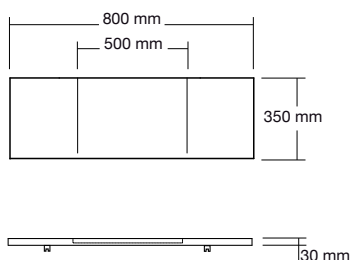
Use a 200 mm wall outlet for all Washplanes with the exception of the 800 single Washplane® which requires a 150 mm wall outlet. Select an outlet that uses 5-7 litres per minute with the water falling at a 90 degree angle directly onto the Washplane®. The Omvivo wall outlets are ideal to use with a Washplane®. A cavity wall is needed to house the hardware and plumbing.

## Important

This is not an installation guide.  
Please contact OMVIVO for technical details.  
Product specifications are subject to alteration without notice.

©OMVIVO Pty Ltd. 1997.

## Assembly



design Omvivo



**OMVIVO**

Omvivo Pty Ltd Schiavello Complex T: + 61 3 9339 8130  
1 Sharps Road Tullamarine F: + 61 3 9330 8611  
Victoria Australia 3043 info@omvivo.com

www.omvivo.com

Note: due to varying manufacturing methods, the dimensions illustrated here are nominal and subject to change. Omvivo has detailed, to the best of its ability, the most approximate measurement possible for each product given the method of manufacturing used.